



| | | |
|--------------|--------------------------------------|-----------------|
| Code: | COLD UNITS | Model: |
| 131141070 | ADVANCE K 140-4 REFRIGERATOR CABINET | ADVANCE K 140-4 |



Hygiene



Easy Maintenance



Heavy Duty



Efficiency



MAIN FEATURES

- * GN 2/1 size refrigerator with double door
- * 430 quality stainless steel
- * Operating temperature 0 / +10 °C
- * Clean free condenser
- * Maximum internal capacity minimal temperature increase during defrost.
- * Most efficient air distribution inside with a specially designed air channel.
- * The inner liners and inner lower base which are moulded comply with the highest hygiene standards with rounded corners and are made of stainless steel.
- * Monoblock design
- * Automatic fan cutout switch and internal led light
- * Wide magnetic removable gasket with triple indulation area provides an effective seal which reduces heat lost.
- * 40-42 kg/m3 density environment friendly HFC-Free Polyurethane insulation for low energy consumption (60 mm)
- * Protecting Class (IP2X)
- * Ventilated cooling design
- * Reversible door allows the appliances to be adapted to any individual installation site.

OPTIONS

- * **Leg Option:** Leg/Castor
- * **Shelf Option:** Nylon/Stainless
- * **Plug Option:** UK/EU

ACCESSORIES

| | | |
|------------------------|---|------|
| * Plastic coated shelf | 8 | Pcs. |
|------------------------|---|------|

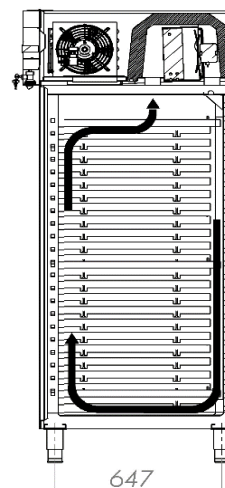
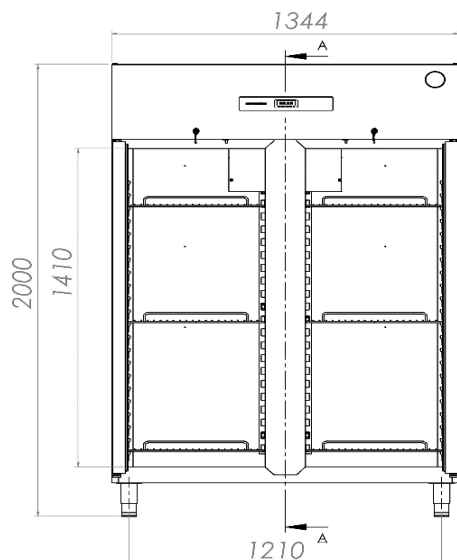
STANDARDS

- * EN 60335-1 European Standard relating to safety of household and similar electrical appliances
- * EN 60335-2-89 European Standard relating to particular requirements for commercial refrigerating appliances with an incorporated or remote refrigerant unit or compressor
- * ISO 22041 Refrigerated storage cabinets and counters for professional use Performance and energy consumption

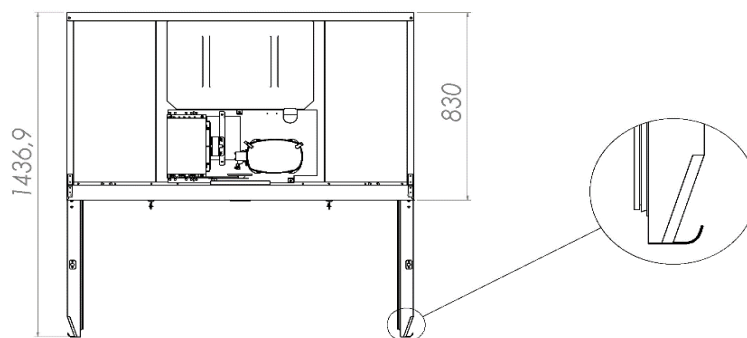




| | | |
|--------------|--------------------------------------|-----------------|
| Code: | COLD UNITS | Model: |
| 131141070 | ADVANCE K 140-4 REFRIGERATOR CABINET | ADVANCE K 140-4 |



SECTION A-A



| DIMENSIONS (Net) | | DIMENSIONS (Shipping) | |
|---------------------------------|-----------------------|------------------------------|---------------------|
| * Width (mm) : | 1344 | * Width (mm): | 1394 |
| * Depth (mm) : | 830 | * Depth (mm): | 880 |
| * Height (mm) : | 2000 | * Height (mm): | 2150 |
| * Weight (kg) : | 177 | * Weight (kg): | 192 |
| | | * Volume (m³): | 2,64 |
| TECHNICAL SPECIFICATIONS | | | |
| * Gross Volume: | 1200 L | * Cooling Temperature: | 0 / +10 °C |
| * Net Volume: | 797 L | * Cooling Gas Type: | R290 |
| * Climate Class: | CC5 (+40 °C - %40 Rh) | * Cooling Capacity: | 632 W (-30° / +45°) |
| * Energy Efficiency Class: | C | * Supply Voltage: | 230V / NPE 50 Hz |
| * Energy Efficiency Index: | 48,32 | * Protection Class: | IP 2X |
| * Energy Consumption: | 2,54 kW/24h | * Cooling System Design: | Ventilated |

